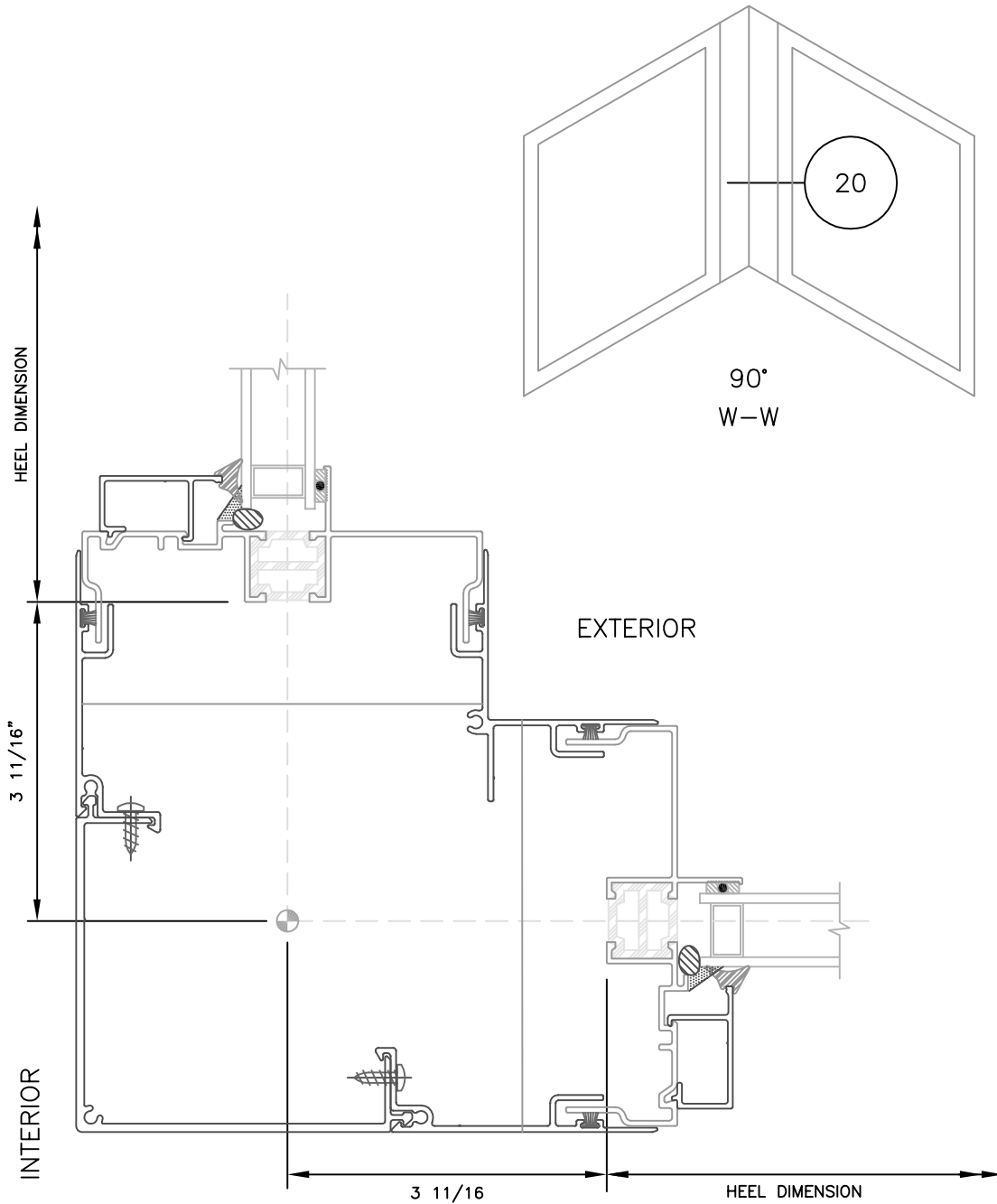




# WINDOW WALL 760

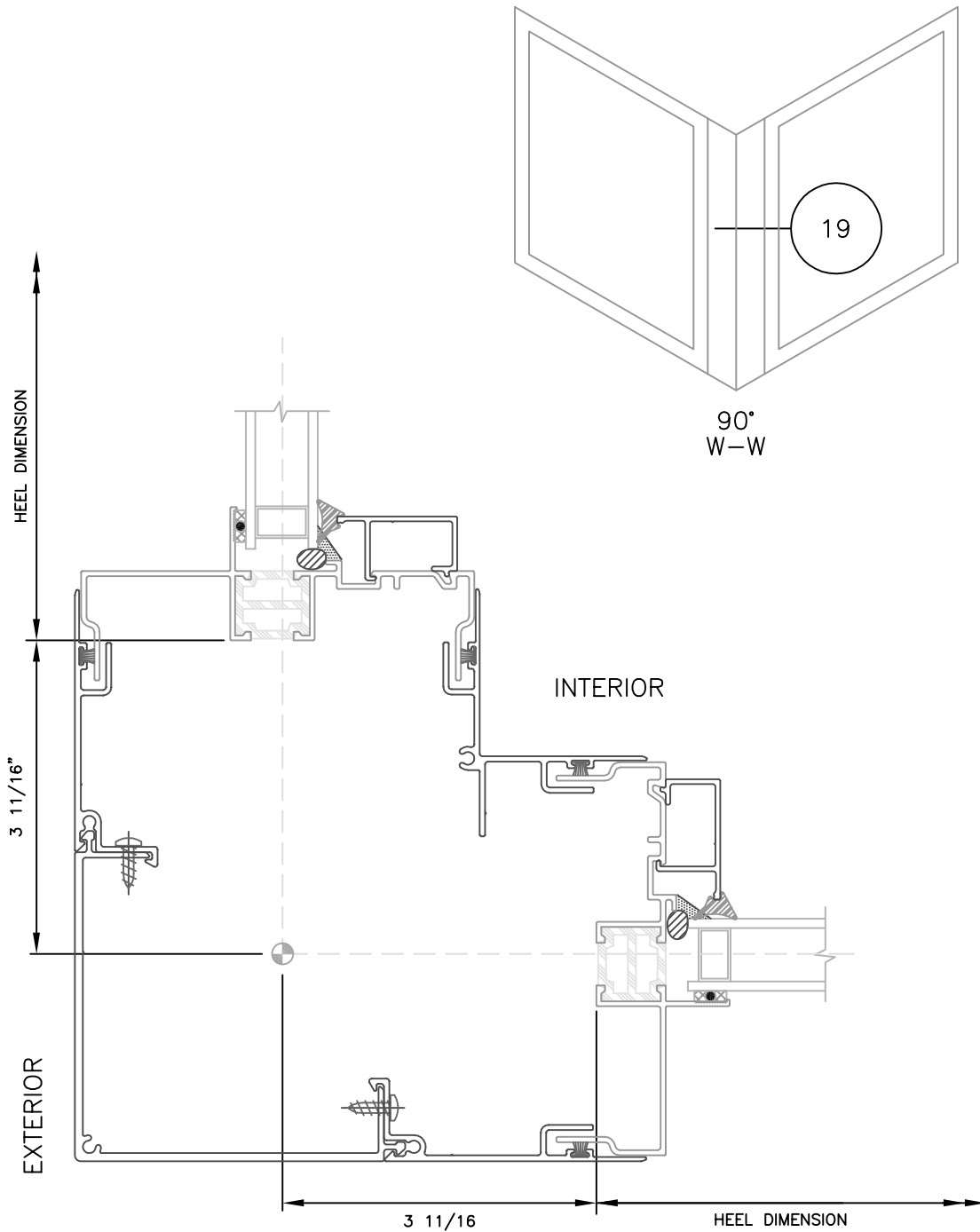
## DETAIL 20



18 90° W-W INSIDE COUPLING

# WINDOW WALL 760

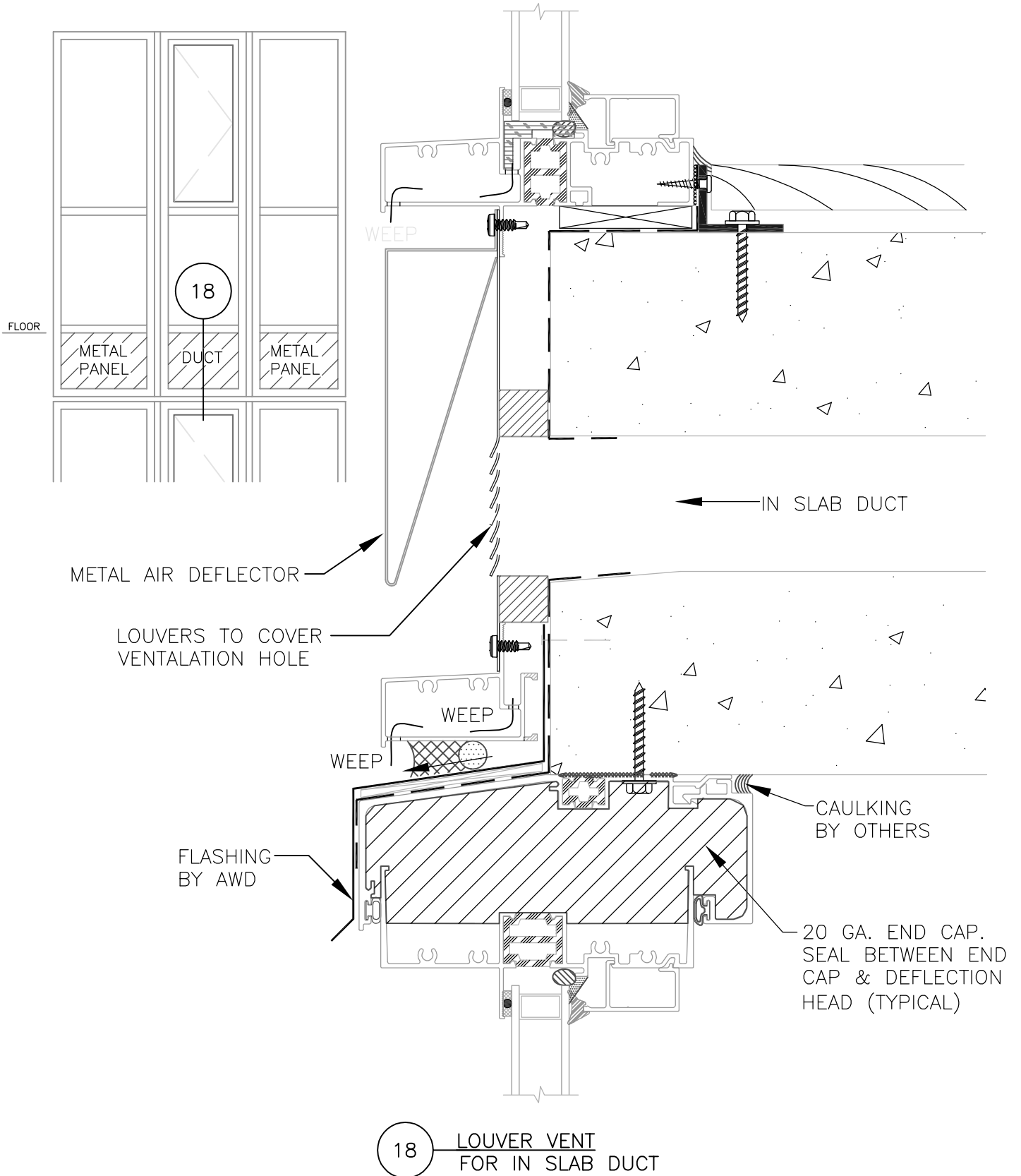
## DETAIL 19



19 90° W-W OUTSIDE COUPLING

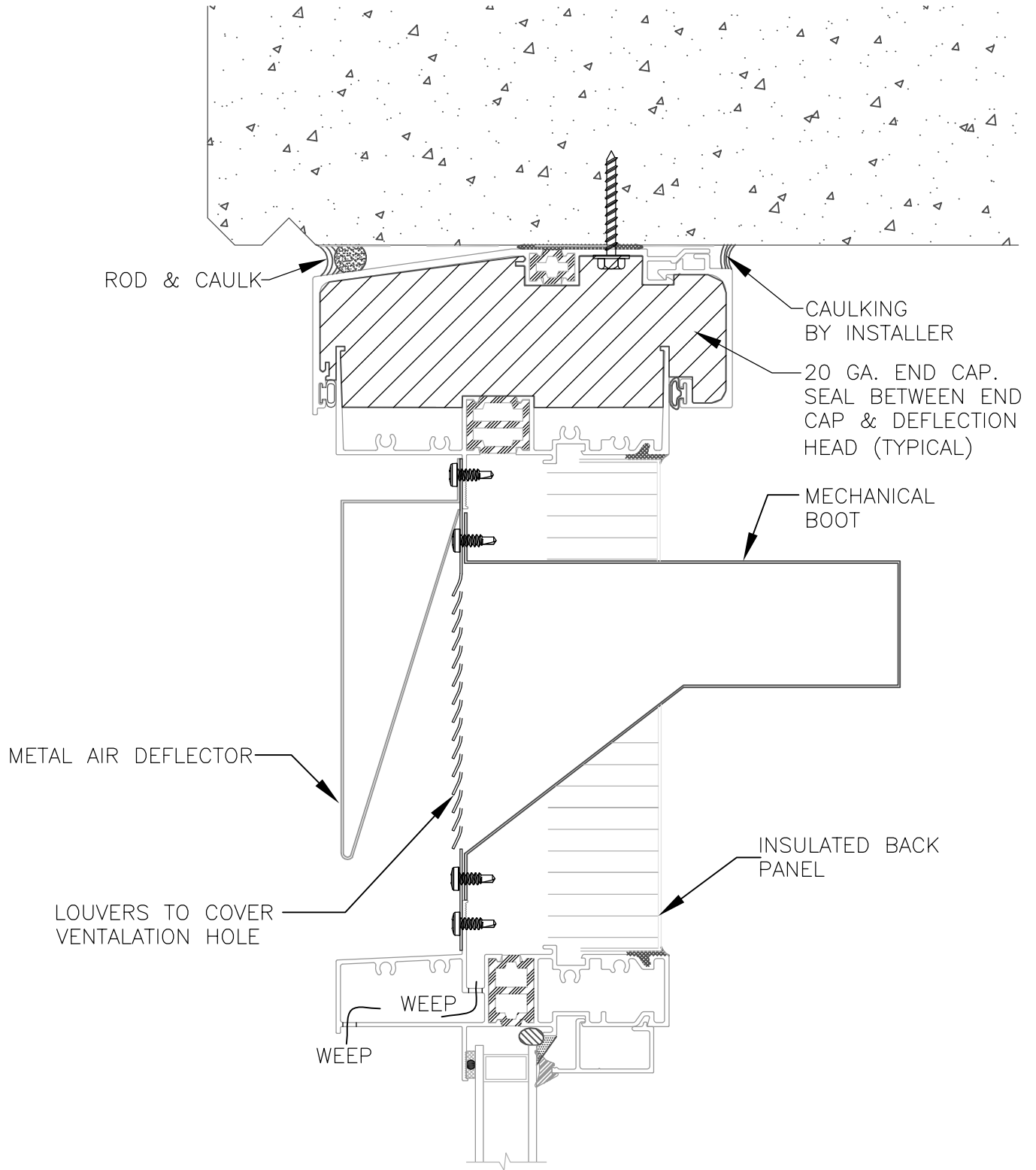
# WINDOW WALL 760

## DETAIL 18



# WINDOW WALL 760

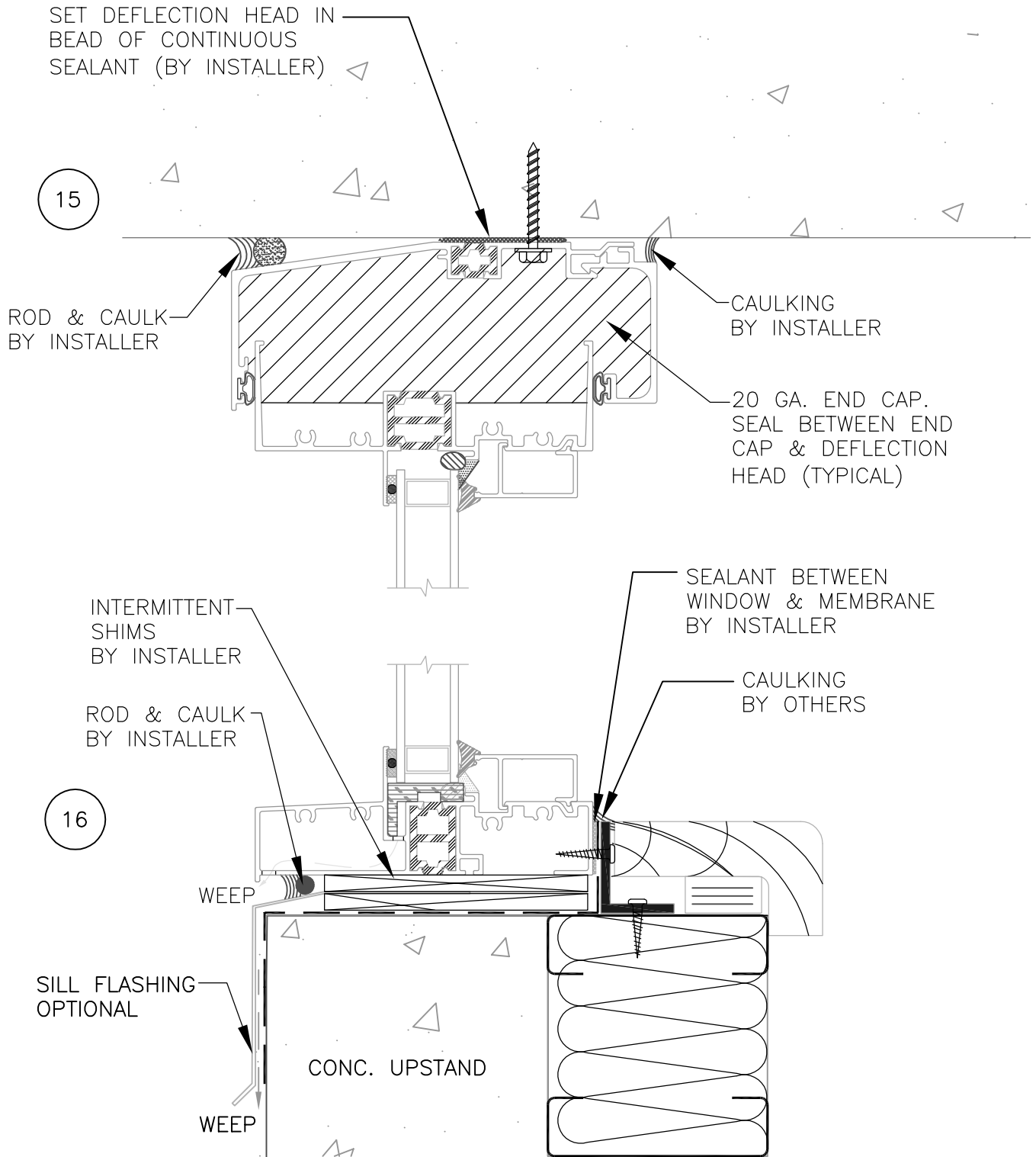
## DETAIL 17



17 LOUVER VENT FOR MECHANICAL VENTILATION

# WINDOW WALL 760

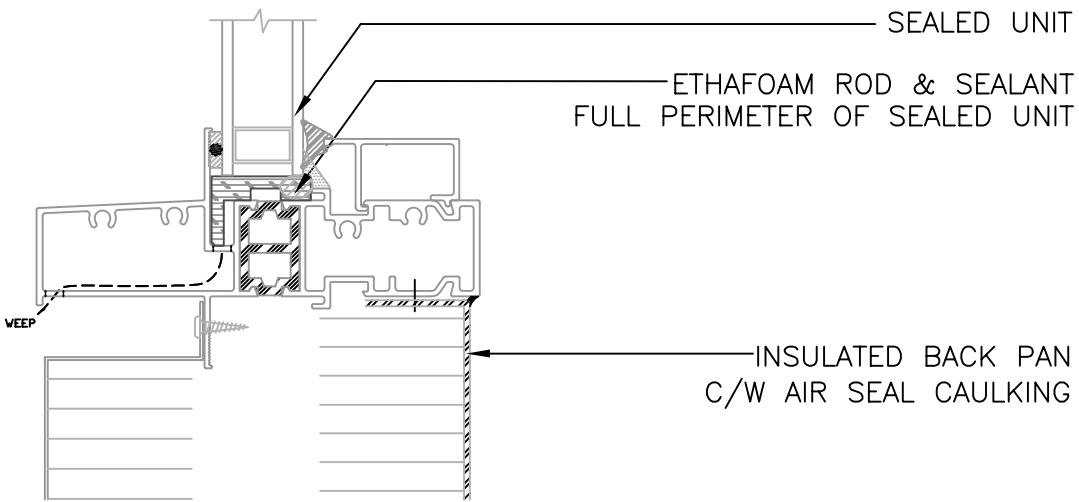
DETAILS 15-16



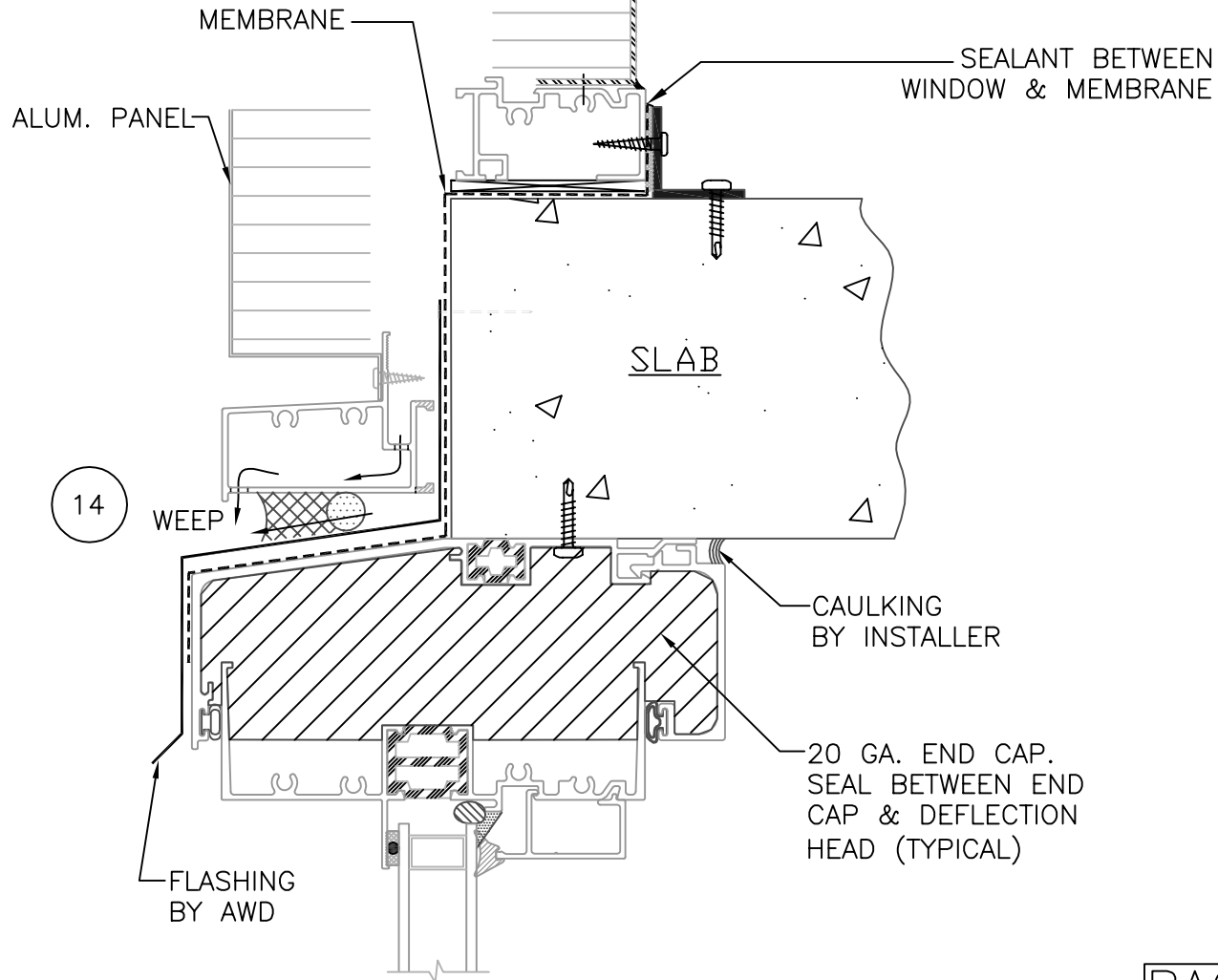
# WINDOW WALL 760

DETAILS 13-14

13

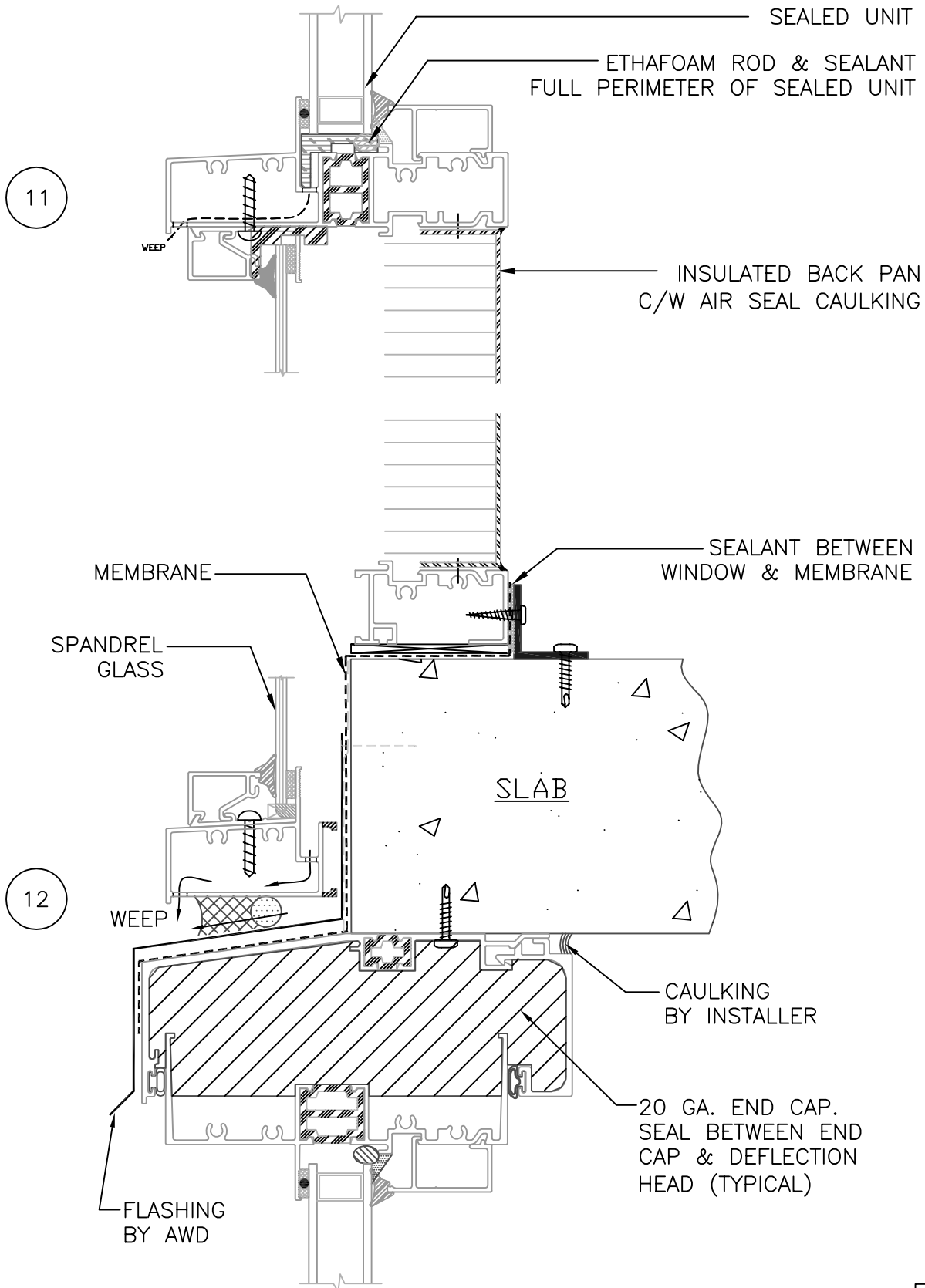


14



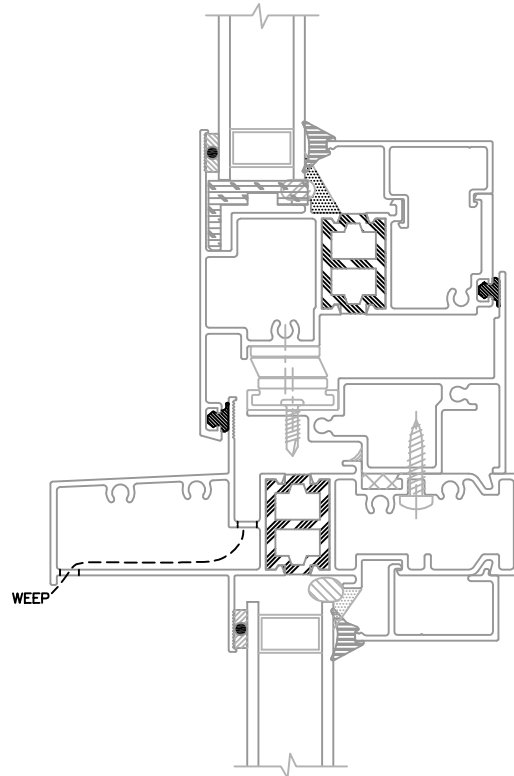
# WINDOW WALL 760

DETAILS 11-12

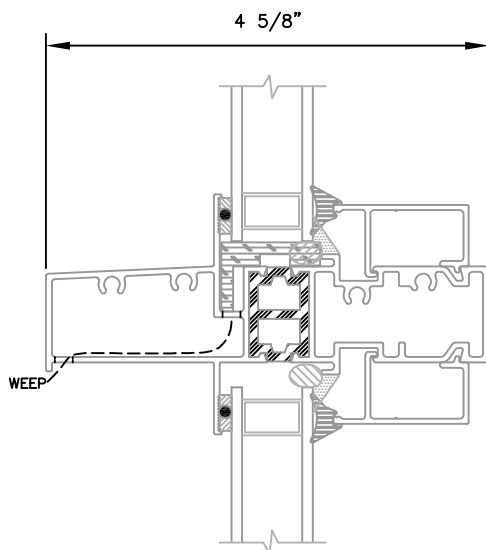


# WINDOW WALL 760

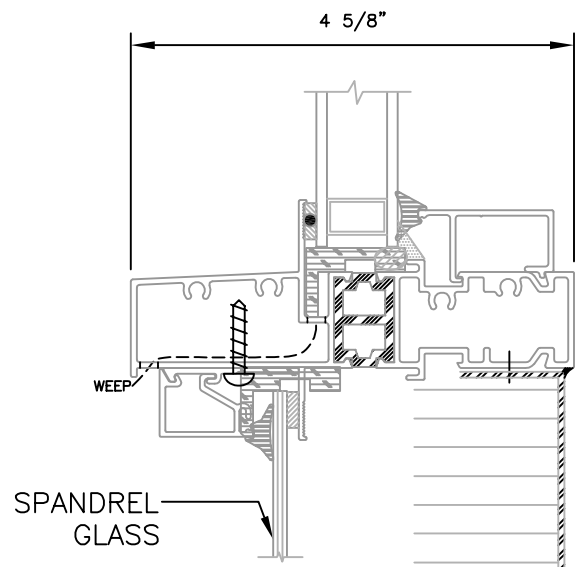
DETAILS 9-11



9 VENT @ MULLION



10 FIXED MULLION



11 MULLION @ VISION & SPANDREL

# WINDOW WALL 760

DETAILS 7-8

ALUMINUM ANGLE  
@ ALL JAMBS

CARRY MEMBRANE  
UP L-ANGLE

SEALANT BETWEEN  
WINDOW & MEMBRANE

CONCRETE

7 JAMB @ VISION

ALUMINUM ANGLE  
@ ALL JAMBS

CARRY MEMBRANE  
UP L-ANGLE

SEALANT BETWEEN  
WINDOW & MEMBRANE

CONCRETE

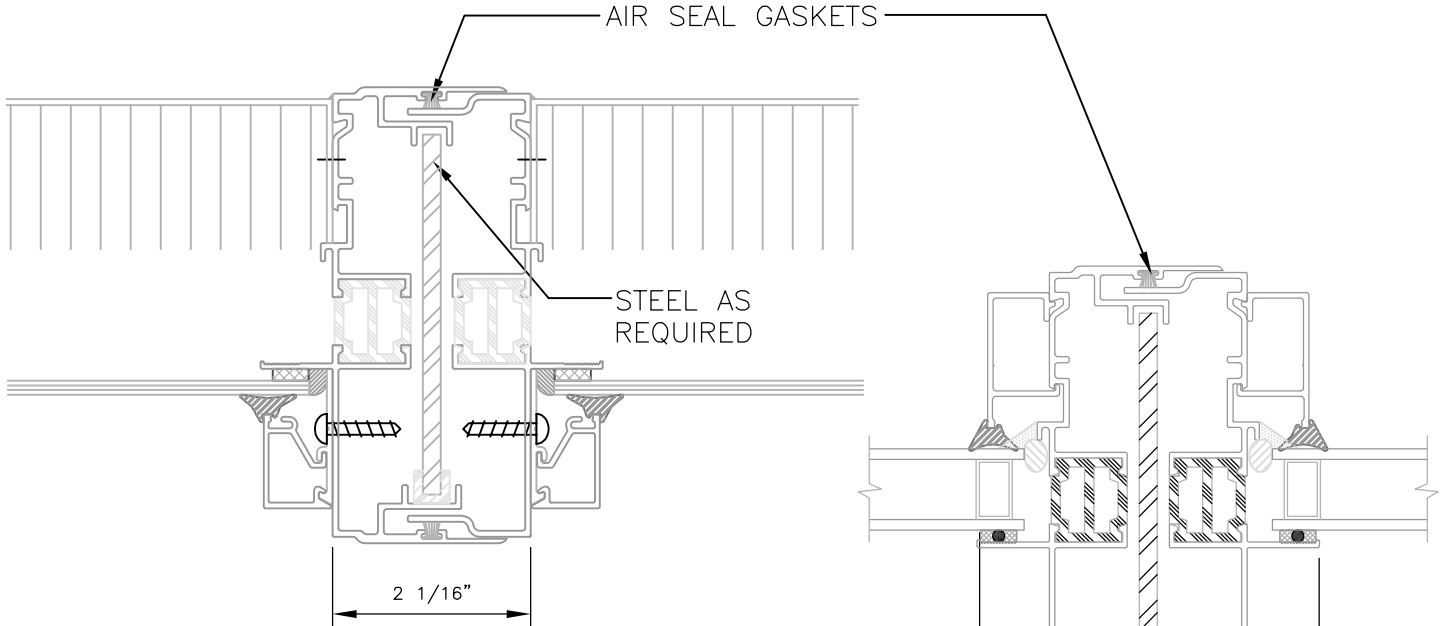
INSULATED  
BACK PAN  
C/W AIR  
SEAL CAULKING

8 JAMB @ SPANDREL



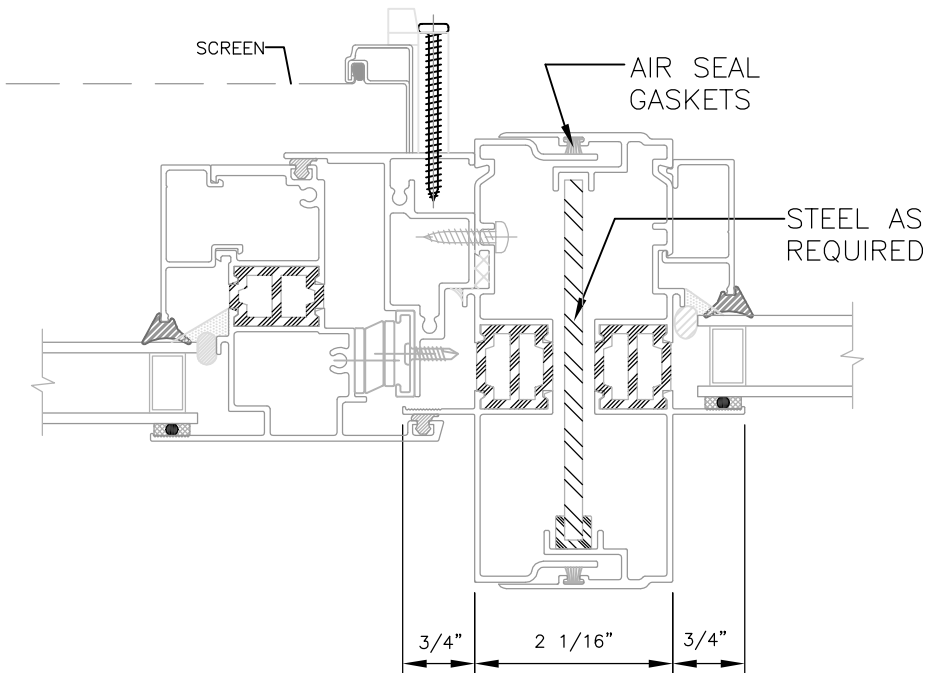
# WINDOW WALL 760

DETAILS 1-3



1 180° W-W COUPLING @ SPANDREL WITH 1 STEEL REBAR

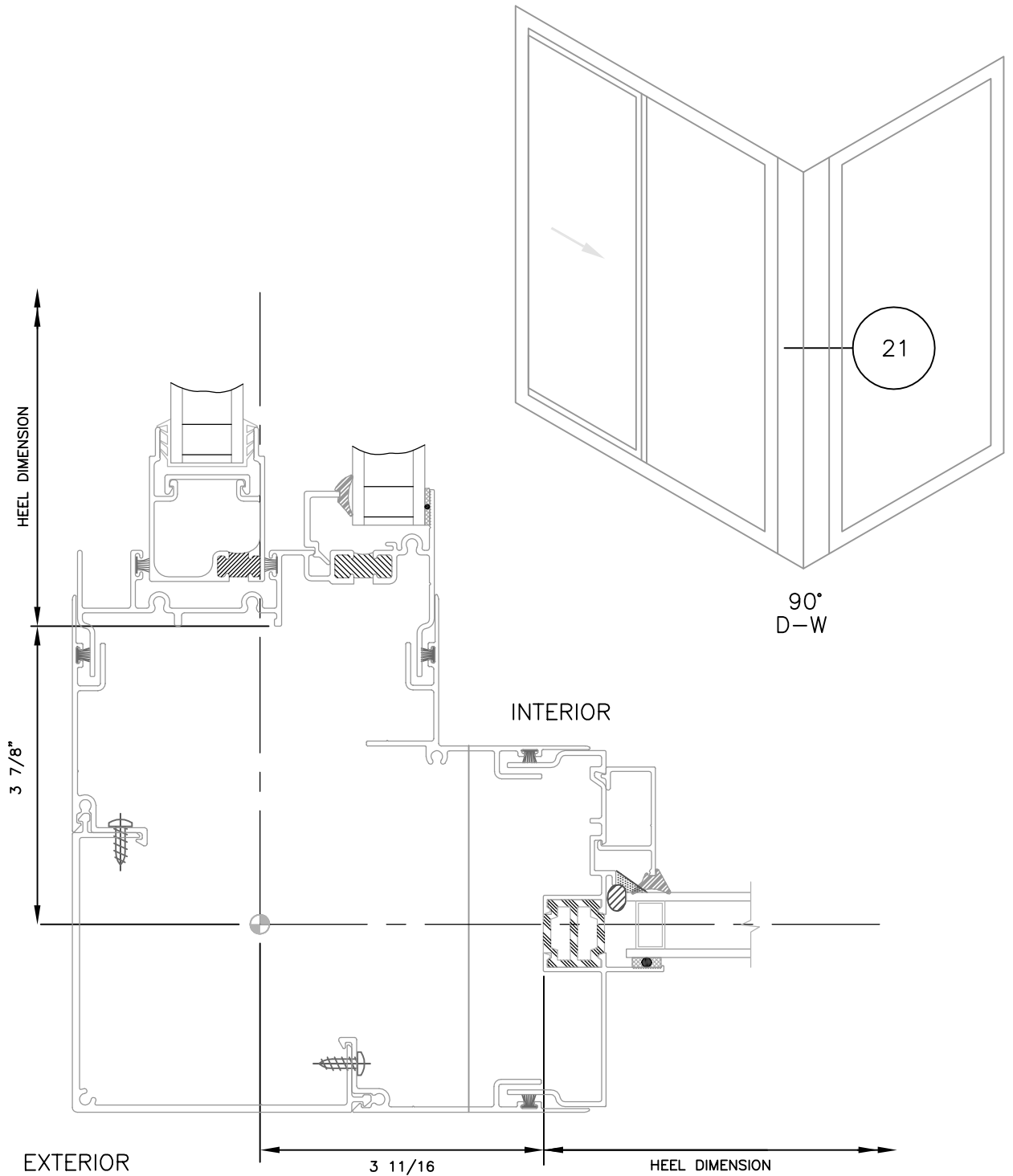
2 MULLION @ VISION



3 VENT @ MULLION

# WINDOW WALL 760

## DETAIL 21



21 90° D-W OUTSIDE COUPLING